

Managing DC Energy



Safe brake resistors
in wire-wound
technology

AWx300

Brake resistor AWx300

Short-circuit proof, „intrinsically safe“ resistor for use in inverters (brake transistors) in an aluminum case, IP54 protection class.



Rated power (W)

120 (300 with duty cycle ED = 35%,
J_A = 20°C)

Resistance (Ohm)

27, 47, 72, 100, 150, 200

Dimensions (mm)

Enclosure: 246 x 60 x 9.6
Wiring: length 480±10
Ø AWG16 or 1.5 mm²
PTFE isolated, UL Style 1659



Technical specifications

($\vartheta_A = 20^\circ\text{C}$, unless otherwise specified)

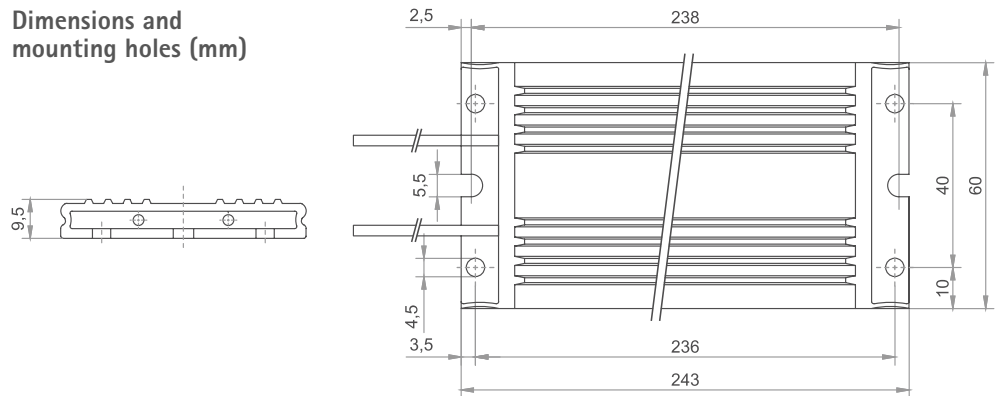
Parameter	Symbol	Value	Unit	Conditions
Tolerance (resistance)		± 10	%	Room temperature
Insulation resistance	R _{ISO}	≥ 100	MΩ	U _{mess} = 1,000 VDC
Inductance	L	≤ 30	μH	f = 300 kHz, U _{mess} = 50 mV
Capacity against enclosure	C	≤ 500	pF	f = 300 kHz, U _{mess} = 50 mV
Thermal time constant	τ	approx. 400	s	Enclosure AWD300xxx
		approx. 1,000		Cooling phase free in air
Weight	m	300	g	
Energy absorption	Q	4.5	kJ	at 1.2 s (1% duty cycle)
		8.3	kJ	at 7.2 s (6% duty cycle)
Maximum permissible operating voltage	U _B	≤ 700 AC	V	Taking into consideration the „intrinsic safety“
Isolation voltage	U _{ISO}	≤ 1,000 DC	V	f = 50 Hz; t = 1 s
Max. permissible case temp.	ϑ _C	≤ 180	°C	unobstructed convection
Storage temperature	ϑ _S	-25 ... +85	°C	

Versions



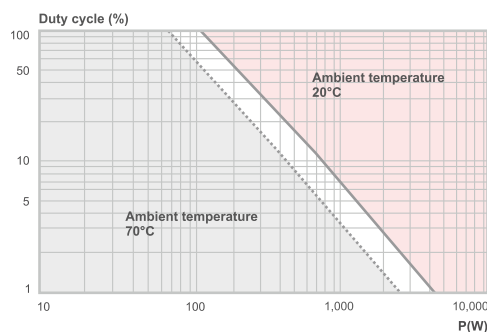
AWx300

Dimensions and mounting holes (mm)



Pulse loading capacity

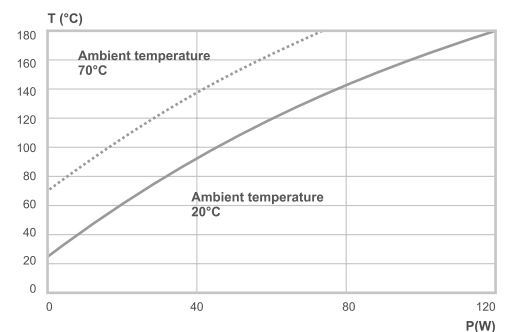
Brake resistor AWx300



Case temperature

Brake resistor AWx300

with duty cycle ED = 100%
Maximum permissible temperature T = 180°C



Managing DC Energy

Active Energy Management Solutions and Safe Brake Resistors for Electric Drives

We offer:

- **Tested product quality**
- **Certified processes**
– we undergo regular inspections by third parties
- **Individual application support**
– owing to our modular system we can offer more than 60.000 solutions
- **Machine-specific implementation**
– we match our products with your machines
- **High reaction rate**
– we provide you with a suitable offer in the shortest possible time
- **Short delivery times**
– all components are available from stock
- **On-time deliveries every time**
– we deliver on schedule in optimal lot sizes
- **Reliable partner**
– we strive for long-term business relationships
- **Direct customer relationships**

www.brakeenergy.com



www.brakeenergy.com



www.facebook.com/michaelkochgmbh



blog.bremsenergie.de



www.xing.com/companies/michaelkochgmbh



www.newsletter.bremsenergie.de



www.youtube.com/user/MichaelKochGmbH



Appstore



www.linkedin.com/company/michael-koch-gmbh

We look forward to hearing from you!



Michael Koch GmbH, Zum Grenzgraben 28, D-76698 Ubstadt-Weiher
Phone (+49) 7251 / 96 26 200, Fax (+49) 7251 / 96 26 210
www.brakeenergy.com, mail@brakeenergy.com

Technische Änderungen vorbehalten. MK_DAT_AWX_ENG_R00_0

